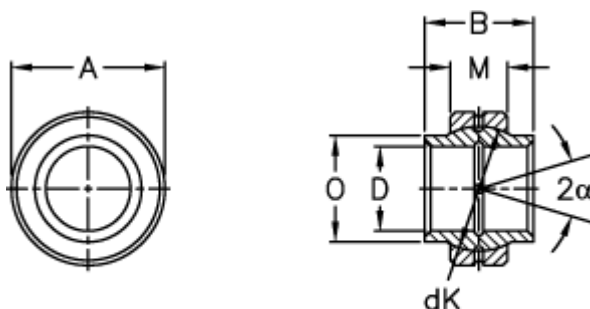


Article number: 03504320

Description: Fluro Rod end GE 320LO

Measures



Str. 12 den smørerille

A	= 520 0 -0,050	Tilt angle = 4
B	= 320	Weight = 224000
D	= 320 0 +0,057	
dK	= 450	
Dynamic load C (kN)	= 6100	
M	= 160	
O	= 405	
Static load C0 (kN)	= 30500	